

**INSTALLATION AND MAINTENANCE MANUAL**  
***CLR-POOL MINERAL IONIZER SYSTEMS***  
***CS-1 CPI-2 CPI-3 CPI-4 CPI-5***  
***UNIVERSAL CONTROLLER INSTRUCTIONS***



**WATER TREATMENT FOR SWIMMING POOLS, SPAS,  
COOLING TOWERS, AND WATER FEATURES.**

[WWW.PRICE-LESSPRODUCTS.COM](http://WWW.PRICE-LESSPRODUCTS.COM)

1057 BAY HARBOR DR. ENGLEWOOD, FL 34224

**LIFETIME WARRANTY (see warranty section )**

## **SAFETY– IMPORTANT**

**SAFETY PRECAUTIONS MUST ALWAYS BE ADHERED TO WHEN INSTALLING/HANDLING ELECTRICAL DEVICES.**

**IT IS STRONGLY RECOMMENDED THAT A QUALIFIED, LICENSED ELECTRICIAN PERFORM THE INSTALLATION OF THIS UNIT.**

## **WARNING**

READ AND FOLLOW ALL INSTRUCTIONS CONTAINED IN THIS MANUAL.

DO NOT PERMIT CHILDREN TO OPERATE THIS UNIT WITHOUT ADULT SUPERVISION.  
WARNING...RISK OF ELECTRICAL SHOCK. CONNECT ONLY TO A GROUNDING TYPE RECEPTACLE PROTECTED BY A GROUND-FAULT CIRCUIT INTERRUPTER (GFCI) OR A DEDICATED CIRCUIT. CONTACT A CERTIFIED ELECTRICIAN IF YOU CANNOT VERIFY THAT THE RECEPTACLE IS PROTECTED BY A GFCI.

DO NOT BURY CORD. LOCATE CORD TO MINIMIZE ABUSE FROM LAWN MOWERS, HEDGE TRIMMERS AND OTHER EQUIPMENT. REPLACE ANY DAMAGED ELECTRICAL CORD IMMEDIATELY.

SHOULD THIS APPLIANCE BECOME INOPERATIVE, DO NOT TRY TO CORRECT THE PROBLEM BY YOURSELF.

THERE ARE NO USER-SERVICEABLE PARTS INSIDE. TURN OFF, UNPLUG THE POWER CORD, AND CONTACT YOUR DEALER.

Dear Valued Customer;

Thank you for taking the first step in reducing your exposure and dependence on harsh, hazardous chemicals to treat your Swimming Pool/Spa.

The CPI Copper Ionizer is a complete water management program for your pool, spa, water feature and even gray-water applications.

Our systems safely and gently treat your pool or spa while you enjoy water that is sparkling clear, safe and gentle on your hair, skin, and eyes.

Utilizing digital technology, the CPI micro-computer provides a constant mineral (Copper) treatment which devastates bacteria, yeast, mold, and all forms of algae. The result.....safe, sparkling, clear, pool water that will not harm your family or the environment.

We know that you will immediately notice a dramatic difference in the quality of your pool's water when your system is installed and operating.

It is our hope that once you see the difference for yourself, you will share this cutting edge technology with all of your friends.

Again, we want to thank you on your wise decision to provide your family and yourself, a healthier pool environment. We know you will enjoy the many benefits of the CPI pool ionizer for years to come.

Thanks again,

Price-less Products

# TABLE OF CONTENTS

SYSTEM SPECIFICATIONS.....	5
MINERAL TREATMENT TECHNOLOGY.....	6
CPI IONIZER INSTALLATION.....	7
PLUMBING AND PLACE.....	8
ELECTRICAL CONNECTIONS.....	9
WATER CHEMISTRY PRIOR TO START UP.....	10
PROPER POOL WATER CHEMISTRY.....	11
TOTAL ALKALINITY.....	12
CALCIUM HARDNESS.....	12
TOTAL DISSOLVED SOLID.....	12
COPPER.....	13
START-UP INSTRUCTIONS.....	14
WEEKLY MAINTENANCE.....	15
GENERAL MAINTENANCE.....	16
TROUBLESHOOTING GUIDE.....	17
WARRANTY .....	19
MAINTENANCE SCHEDULE.....	20
WARRANTY REGISTRATION.....	21

## **SYSTEM SPECIFICATIONS CS-I CPI-2 CPI-3 CPI-4 CPI-5**

### **CAPACITY:**

CS-I Up to 20,000 gal.

CPI-2 Up to 25,000 gal.

CPI-3 Up to 50,000 gal.

CPI-4 Up to 100,000 gal.

CPI-5 Up to 150,000 gal.

**ELECTRODE COMPOSITION:** High grade Copper alloy 99% Treatty.

**INPUT VOLTAGE:** 90-240 VAC @ 50/60 Hz; Auto-switching.

### **OUTPUT CAPACITY ALL MODELS:**

12 VDC @ 3.5 A

**OUTPUT EFFICIENCY:** 97% efficient across output spectrum

**OUTPUT MODE:** Regulated DC current at 100% of duty cycle;  
steady state – load depend

### **POWER CONSUMPTION:**

42 WATTS MAX – load dependent

### **CIRCUIT PROTECTION:**

Continual load sampling with current limiting output bus.

**CONTROLLER DIMENSIONS:** H 7.75 in. x W 5.0 in x D 3.5 in. Built in mount flanges

**CONTROLLER HOUSING:** Aluminum Gasketed NEMA 4 rated

**TEMPERATURE LIMITS:** 32 F min. to 120 F max

**CONTROL PROCESSOR:** Regulated DC current; power “On” indicator,  
Diagnostic polarity LED display

All Components ETL listed and approved. Unit has not been certified as a whole.

## **COPPER IONIZATION PROCESS**

The CLR-POOL-IONIZER utilizes an advanced electronic process to distribute small amounts of Copper ions into water systems, this effectively controls microorganisms, viruses and algae.

Treatment is accomplished while avoiding the hazards of high level chemical dosing and exposure. From the backyard pool/ spa, to the industrial cooling towers the CLR-POOL-IONIZER can help save 70-95% on overall water treatment chemical consumption and cost. The system has applications ranging from food processing, marine parks, water features, fountains, cooling towers, breweries, to gray water treatment.

This method of water treatment is extremely inexpensive, easy to use, and environmentally friendly.

The system operates automatically in conjunction with the circulation system of a pool, spa, or cooling tower. The electrodes are specifically designed for efficient dispersion of specially formulated Copper electrodes that dissolve at a designated rate into the water that is to be treated. A long term disinfecting residual is then maintained.

Unlike chlorine, COPPER does not evaporate or weaken when exposed to heat or sunlight and does not change the pH..

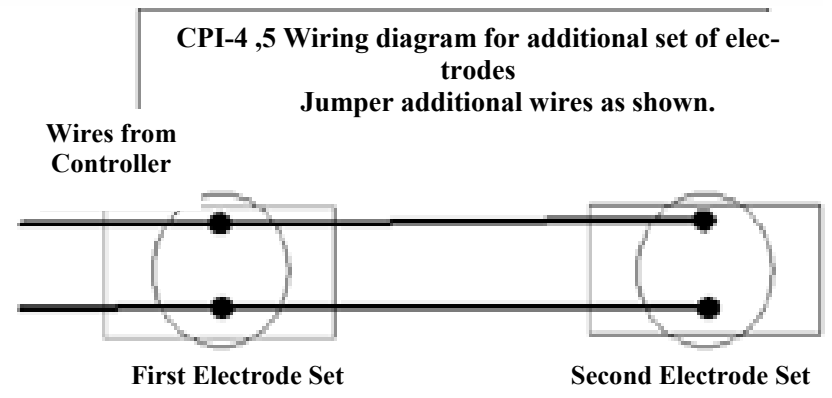
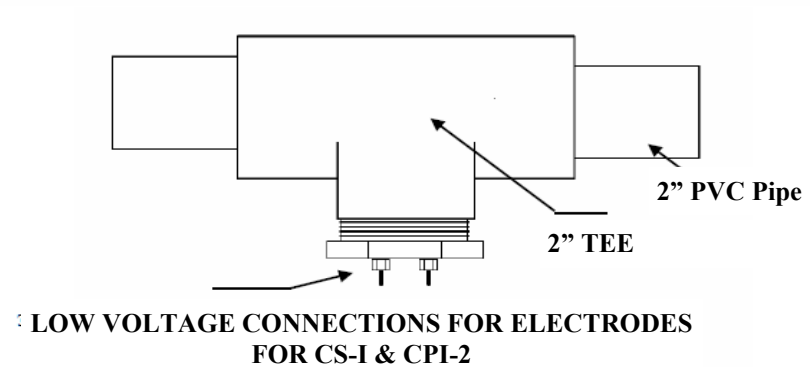
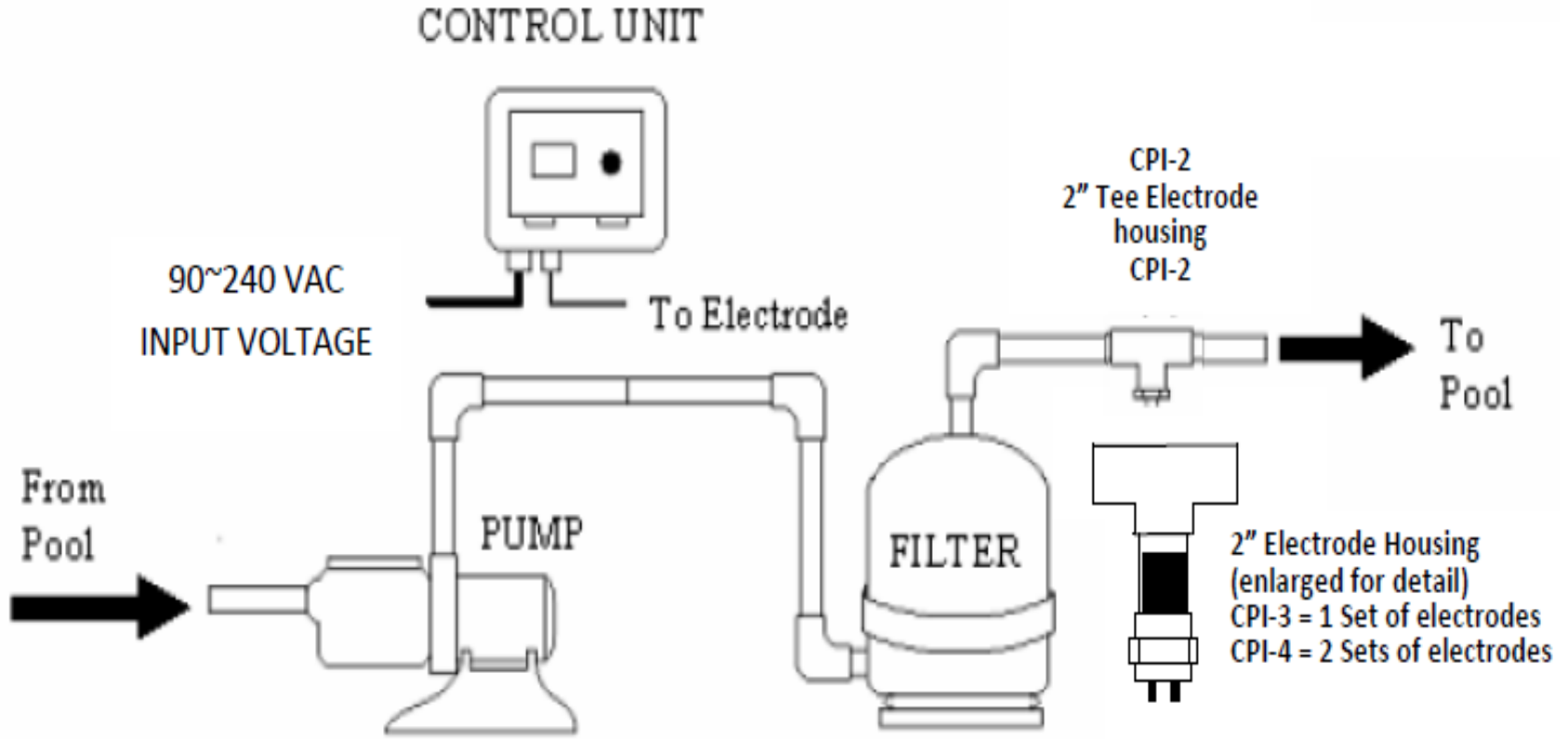
The Treatment process is surface active, micro-biocidal and is also a potent algaecide. The disinfecting action is caused by the positive charged Copper ions which form electrostatic bonds with negatively charged sites on the cell wall of micro organisms. This breaks down the enzymatic uptake of nutrients and halts proliferation of the unwanted algae, bacteria, and viruses.

## **LONG LASTING RESIDUAL TREATMENT**

It has been laboratory and field proven that when COPPER IONIZATION is used in conjunction with low levels of free chlorine, typically .2-.4 ppm (local health department regulations may vary); there is a synergistic effect (Applied and Environmental Microbiology, Dec. 1989, p. 3045-3050). The maximum synergistic effect was Copper in the presence of .3 ppm free available chlorine. At this dose, 1,000 times more bacteria were killed after 2.5 minutes in the ionized water than the water treated with Chlorine alone.

# CS-I, CPI-2, CPI-3 & CPI-4 INSTALLATION

1. Disconnect all power to the Pool/Spa system. DANGER: Risk of electrical shock. This step should be performed by qualified personnel. Locate a space for the Electrode Chamber - **after** the filter (if possible), on the return line back to the pool.
  2. Turn off the pump and close all the valves.
  3. Using a hack saw, cut a 3-4 inch gap in the PVC pipe. Sand any burrs off of the pipe.
  4. Dry the pipe and clean then ends with PVC primer/cleaner. Use supplied Reducer Bushings for installation of the Electrode Chamber into the 1 ½ in. pipe (**if required**). Be sure to push the Reducer Bushing all the way into the Tee. Apply pressure for 30 seconds until the cement sets.
  5. **ALL MODELS** Horizontal: the Tee should be installed so the wire terminals of the electrode are facing toward the ground to prevent air pocket formation. Any installation orientation on a **Vertical** pipe will be correct. See illustration PAGE 8.
  6. Swab PVC glue on the inside of the Tee and the ends of the pipe. After installing the Tee, be sure to hold firmly in place for 30 seconds before releasing.
  7. **CS-I & CPI-2** Wrap Teflon tape around the threads on the Electrode cap prior to screwing it into the Electrode cell. Screw in the Electrode cell so that water will pass between the two bars.  
**CPI-3 & CPI-4**, simply hand tighten the union on the transparent PVC, no alignment of electrodes is necessary.
  8. Secure the Electrode connections with the supplied nut and torque to “**finger tight**”.
- WARNING: Torque exceeding finger tight may break the water seal as well as damaging the connector.





**PLUMBING AND PLACEMENT**  
**LOW VOLTAGE ELECTRODE CHAMBER**  
**CONNECTIONS FOR PLASTIC JACKETED CABLE**  
**2” “TEE” SUPPLIED WITH**  
**TREATMENT SYSTEM**  
**2” PVC PIPE**  
**ELECTRICAL**

**CAUTION:** INSTALLATION SHOULD BE DONE BY A QUALIFIED SERVICE PERSON IN ACCORDANCE WITH ALL APPLICABLE NATIONAL, STATE AND LOCAL ELECTRICAL STANDARDS AND BUILDING CODE REQUIREMENTS. CONSULT YOUR LOCAL AUTHORIZED DEALER FOR INSTALLATION SERVICES. DISCONNECT ALL POWER TO THE POOL CIRCULATION SYSTEM PRIOR TO INSTALLATION.

1. The CPI Ionizers are equipped with AUTOMATIC VOLTAGE SENSING POWER SUPPLIES. This means the only concern when hooking up the wires is connecting the **Green wire to GROUND** in your electrical system.
2. Securely mount the Controller to a vertical surface. Ensure there is sufficient cable to accommodate wire connections between the Controller, the Electrode Chamber and the Power Source.
3. **WARNING: CONTROLLER MUST OPERATE ONLY WHILE THE PUMP CIRCULATION SYSTEM IS RUNNING.**
4. Use liquid tight flexible conduit between the Power Source and the Controller.
5. Use plastic jacketed conductors between the Electrode Chamber and the Controller.

## **WATER CHEMISTRY LEVELS PRIOR TO START-UP**

### ***\*ATTENTION INSTALLER\****

PRIOR TO THE INSTALLATION OF THE POOL IONIZER SYSTEM, IT IS ESSENTIAL THAT THE FOLLOWING WATER CHEMISTRY PARAMETERS HAVE BEEN ESTABLISHED.

### **TOTAL DISSOLVED SOLIDS (TDS)**

IDEAL RANGE 750-1,500 PPM

**IF TDS IS BELOW 750 PPM, RAISE BY ADDING CRUSHED ROCK SALT.**

**REFER TO FOLLOWING FORMULA: 10 LBS. OF SALT WILL RAISE TDS**

**120 PPM PER 10,000 GALLONS OF WATER. IF TDS IS ABOVE 1,500 PPM, PARTIALLY DRAIN POOL (BY AT LEAST 1/3) AND REFILL WITH FRESH WATER.**

**pH (short for potential for hydrogen ion concentration) is a measure of the acidity or basicity of a solution.)**

IDEAL RANGE: 6.9 – 7.3

### **CYANURIC ACID (STABILIZER)**

IDEAL RANGE: 0 – 30 PPM

(NOT NEEDED IF STRIVING FOR CHLORINE FREE POOL)

### **HALOGEN**

IDEAL RANGE: .4 PPM CHLORINE - .8 PPM BROMINE

*\*STATE, LOCAL OR PROVINCIAL HEALTH CODES MAY VARY*

### **TOTAL ALKALINITY**

IDEAL RANGE: 80 – 120 PPM

### **CALCIUM HARDNESS**

IDEAL RANGE: 225 – 375 PPM

## **PROPER POOL WATER CHEMISTRY**

### **pH**

Ideal Range 6.9 – 7.3

pH (POTENTIAL of HYDROGEN) or hydrogen power. This test determines the acid content of your pool water.

As the pH rises above 7.3 there is a reduction in the Pool Ionization System's ability to Treat the water. This test should be done weekly and adjusted accordingly.

If pH is above 7.4.....lower through use of muriatic acid or sodium bisulfate

If pH is below 6.9.....raise by using a base baking soda or soda ash

NOTE: the higher the pH, the less effective all treatments are (exponentially less effective) so keep pH closer to 6.9 than 7.3.

### **COMPLICATIONS WHICH MAY OCCUR FROM HIGH pH:**

- Inability for sanitizer to kill algae and bacteria
- Solids may come out of solution
- Water may get cloudy
- Calcium may come out of solution and cause scale
- Eye irritation

### **COMPLICATIONS WHICH MAY OCCUR FROM LOW pH:**

- Water becomes acidic
- Damage to pool and pool equipment
- Eye irritation

**RAIN OR ADDITION OF FRESH WATER WILL CAUSE A CHANGE IN pH**

## **TOTAL ALKALINITY**

### **Ideal Range 80 – 120 PPM**

Total Alkalinity is a test done monthly to determine the amount of alkaline material in the water. It also measures the water's ability to neutralize acid and acts as a buffer against sudden pH changes.

*If Total Alkalinity is high.....add small amounts of sodium bisulfate or muriatic acid over period of 3 days. Follow the label instructions based on your pool size.*

*If Total Alkalinity is low.add bicarbonate (baking soda) ½ cup at a time, until you reach at least 80 PPM*

## **CALCIUM HARDNESS**

### **Ideal Range 225 – 375 PPM**

Calcium Hardness is a test done yearly to determine the total amount of Calcium that's in the solution in the pool water.

If the level is too high it can lead to scale, Calcium deposits, cloudy water and difficulty in controlling pH. If the level is too low it can lead to surface damage to the pool and fluctuating pH.

*If Calcium is too high.....partially drain the pool and refill with fresh water*

*If Calcium is too low.....add calcium chloride following label directions*

## **TOTAL DISSOLVED SOLIDS**

### **Ideal Range 750 – 1,500 PPM**

*If TDS is too high.....partially drain pool by at least 1/3 and refill with fresh water*

*If TDS is too low.....raise by adding crushed rock salt.*

*(10 lbs rock salt adds 120 PPM total dissolved solids (TDS) to 10,000 gallons)*

## **COPPER**

### **Ideal Range .3 PPM**

*Copper, the primary treating agent, attacks bacteria, virus, fungus, yeast, mold and all forms of algae. The range for Copper to effectively treat is .25 ppm in the winter when demand on the pool is minimal to a maximum of .4 ppm in the summer when demand is the greatest.*

*The Copper should be tested weekly to both determine that the Copper level is within recommended range and to determine what setting on the control box should be. Maintain Copper at a .3 ppm level, the ideal range.*

*After testing, if the Copper level is higher than .4 ppm, turn the controller dial as far COUNTER CLOCKWISE as it will go, this will shut the power to the electrodes off (within a few seconds). Leave off until the Copper falls back into the recommended range. Then turn the dial back on at a lower setting than previously. This could take up to several weeks as the Copper is only removed slowly by the pool filtration system. The Copper level is unaffected by UV or bather load.*

*If the Copper level is too low, simply increase the setting on the controller. Follow guidelines to avoid algae growth and the possibility of the Copper precipitating and staining the pool. Although staining is rare, the possibility exists. This is usually caused from improper shocking of the pool.*

***NEVER ADD DRY CHLORINE (granules or tablets etc.) DIRECTLY TO THE POOL.***

*This can super-oxidize the copper in the water to drop out of solution settling as a ring around the pool or directly below the location where the dry chlorine was introduced into the water. Maintaining proper Copper level is the responsibility of the operator. Price-less Products will not be held responsible if staining occurs. Visual inspection by the operator is required. If the staining appears, lower Copper levels below the recommended range.*

## **START-UP INSTRUCTIONS**

**Step 1. After installation, clean the filter and check and adjust the water chemistry.**

**Step 2. Turn the dial to maximum as indicated by the graphic on the faceplate behind the dial.**

Make sure the LEFT LED light (POWER) and RIGHT (POLARITY) LED light comes on. The POLARITY LED will alternate colors from red to green about every 4 - 5 minutes. This indicates the switching the positive polarity from one electrode to the other.

While the Copper is building, maintain a normal chlorine level. Run the system on the maximum setting until the Copper reaches .3 ppm. Depending on your pool size – this process may take between 1 and 3 days.

Reduce the controller setting midway and test the Copper level weekly to determine the optimum setting, adjust as needed.

**Step 3. Adjust pump circulation time so the entire content of the pool circulates through the filter at least 1½ times daily.**

**Typically, a 1hp pump will circulate 3,000 gallons per hour.**

## **WEEKLY MAINTENANCE**

- Check and adjust your water chemistry. Proper pH is critical to effective treatment
- Maintain chlorine at .4 ppm or bromine at .8 ppm
- Test Copper level and adjust as necessary

Please refer to tracking chart in the back of this manual. Be sure to keep accurate records regarding your pool's water chemistry. With these records your dealer can work quickly to answer any questions that may arise.

## **OXIDATION**

The CPI Copper Ionization System will flocculate dead organisms into larger masses, the majority of which will be removed by an efficient filtration system. However, organic matter such as suntan lotions, body oils, perspiration and hair care products will not be trapped by your filter. Although they pose no health hazard, left unattended, they will cause your pool to become cloudy or dull in appearance. Regular and sufficient oxidation is necessary to keep your pool water sparkling clear.

Proper oxidation can be accomplished in several ways, all of which are effective:

- Maintain a constant Chlorine residual of .4 ppm or Bromine at .8 ppm
- Add 1 quart of liquid bleach per 10,000 gallons on a weekly basis
- Add 1 pound of a non-chlorine (such as potassium monopersulfate) per 10,000 gallons on a weekly basis. This product is available in most pool stores.

PRICE-LESS PRODUCTS recommends oxidizing once a week regardless, and always after a heavy, sustained rain.

\*Oxidizing is an essential element for the effective operation of your Natural Mineral Treatment System.

# **GENERAL MAINTENANCE**

## **ELECTRODES**

The life of your Electrode will vary depending on the size of your pool and the number of hours the filtration system runs each day.

### **CS-1 & CPI-2 model:**

Remove Electrodes periodically for inspection and cleaning.

**CPI-3 & CPI-4 models:** Electrodes should be inspected through the clear plastic Tee periodically to ensure there is nothing obstructing flow or caught between them. Electrodes should be checked a minimum of once per year.

If the cleaning of Electrodes becomes necessary, turn off the power to the system, disconnect fitting and remove the Electrode. To clean – use a 50:50 solution of vinegar or lemon juice and water. Rinse with a garden hose.

**CAUTION: MAKE SURE THE POWER IS OFF AND THE FILTRATION SYSTEM IS NOT RUNNING BEFORE ATTEMPTING TO CLEAN THE ELECTRODES**

You can obtain new Electrodes through your local dealer or at **[www.price-lessproducts.com](http://www.price-lessproducts.com) or PH: 801-390-8260**



## TROUBLESHOOTING GUIDE

If you have followed the instructions contained in your CLR-POOL IONIZATION System manual and are still having difficulty operating your system locate the SYMPTOM in the left column below. Check the corresponding POSSIBLE CAUSE and CORRECTIVE ACTION columns to remedy the problem.

<b>SYMPTOM</b>	<b>POSSIBLE CAUSE</b>	<b>CORRECTIVE ACTION</b>
LED ( Lights ) not lit	Power cord wired wrong. Power cord wires not secured	Refer to wiring diagram/installation Observe wire connections and secure
LEDS are strobing ( flashing in sequence )	Short circuit on output wires Electrodes have an object or debris between them	Make sure bare part of wires do not touch Check electrodes, clean between to remove debris
No voltage to the Electrodes	Unit in OFF position Wires not secure	Turn Knob until Lower LEDS are lit Check all connections and secure
Copper level low	Electrodes need to be cleaned Electrodes need to be replaced Total Dissolved Solids too low	Clean electrodes with vinegar Order new electrodes Check TDS level and add rock salt
Algae in pool, or brown/cloudy water	pH too high or TDS too low	Review owners manual for water Chemistry and maintenance procedures
Water is cloudy	Filter is dirty	Backwash filter, clean filter, add Oxidizer with bleach or non-chlorine shock

**ADJUSTING pH TO 7.2 WITH SODIUM BISULFATE (DRY ACID)**

<b>pH READING</b>	<b>500 GAL</b>	<b>5,000 GAL</b>	<b>10,000 GAL</b>	<b>15,000 GAL</b>
7.8 – 8.0	1 OZ	.75 LBS	1.25 LBS	2.5 CUPS
8.0 – 8.2	1.5 OZ	1 LB	2 LB	3.75 CUPS
8.4 +	2.0 OZ	1.5 LBS	2.5 LBS	5.0 CUPS

**ADJUSTING pH TO 7.2 WITH MURIATIC ACID**

<b>pH READING</b>	<b>500 GAL</b>	<b>5,000 GAL</b>	<b>10,000</b>	<b>15,000 GAL</b>
7.8 – 8.0	2 TSP	.75 CUPS	13 OZ	3.75 CUPS
8.0 – 8.2	3 TSP	1.25 CUPS	2.5 CUPS	3.75 CUPS
8.4 +	4 TSP	2.5 CUPS	3.5 CUPS	5.0 CUPS

THESE DOSAGE AMOUNTS MAY VARY SLIGHTLY FOR YOUR POOL AS ALL WATER CHEMISTRIES DIFFER. CHECK THE pH after 2 HOURS.

INITIALLY, BEGIN WITH THE ABOVE LEVELS AS A GUIDELINE.

MAKE ANY NECESSARY ADJUSTMENTS AND NOTE FOR FUTURE APPLICATIONS.

## LIMITED WARRANTY

PRICE-LESS PRODUCTS

**Believing The CLR-POOL IONIZATION SYSTEMS.**

To be of exceptional quality, hereby warranties said equipment to the original purchaser and may be transferred to future owners as long as they agree to the terms provided below.

**CS-I, CPI-2, CPI-3 & CPI-4 Lifetime Warranty** – Electronic Controller

**THE SIMPLE VERSION:** If it fails to work we will fix it for free, as long as you purchase the replacement electrodes from Price-less Products. ([www.price-lessproducts.com](http://www.price-lessproducts.com)).

801-390-8260.

This warranty begins at the time the equipment is installed and is contingent upon the return of signed owner registration card to the manufacturer.

This warranty does not require replacement of the entire unit. Manufacturer will repair or replace (at its option) any part that proves to be defective in material and/or workmanship during the warranty period under normal use and service. If the equipment does not perform properly, refer to your owners manual and water chemistry before requesting service from the dealer that sold you the system.

This warranty does not cover labor charges and does not cover installation, removal, reinstallation, transportation, or any other claims or torts including but not limited to damage caused by abuse, neglect, freezing, fire, lightning, staining, vandalism, failure to maintain proper water chemistry or other abnormal conditions beyond the company's control.

This warranty gives you specific legal rights and you may have other rights that vary from state to state or province to province. You also have implied warranty rights. This warranty is void if equipment is not installed and operated according to the owner's manual including, but not limited to, maintaining proper water chemistry level at installation and thereafter. Service provided by technicians other than **PRICE-LESS PRODUCTS** will void this warranty.

**DO NOT OPEN THE CONTROL BOX, THERE ARE TAMPER EVIDENT SEALS. THIS WILL VOID THE WARRANTY, UNLESS YOU CONTACT PRICE-LESS PRODUCTS FOR PRIOR APPROVAL.**

## MAINTENANCE SCHEDULE

<b>TASK</b>	<b>DESCRIPTION</b>	<b>FREQUENCY</b>
CHECK COPPER	SUMMER .3-.4 PPM FALL/SPRING .3 PPM	WEEKLY
OXIDIZE	1 QT. BLEACH 10,000 GALLONS OR 1 LB. POTASSIUM MONOPERSULFATE	WEEKLY AND AFTER RAIN
CHECK pH	6.9 – 7.3	WEEKLY
ALKALINITY	80-120 PPM 100 PPM IDEAL	MONTHLY
CALCIUM	225-375 PPM	YEARLY
CLEAN FILTER	WHEN PRESSURE GAUGE IS 50-75% ABOVE NORMAL	AS NEEDED
CLEAN POOL	VACUUM DIRT, LEAVES, DEAD ALGAE AS NEEDED. CLEAN SKIMMER	AS NEEDED

**NOTES:** \_\_\_\_\_

\_\_\_\_\_

\_\_\_\_\_

\_\_\_\_\_

\_\_\_\_\_

## WATER CHEMISTRY TRACKING CHART

RANGE: DATE	6.9 - 7.3 pH	80 - 120 PPM ALKALINITY	.2 - .4 PPM COPPER	.4 - .8 PPM HALOGEN	ACTION TAKEN

### PRICE-LESS PRODUCTS

1057 Bay Harbor Dr  
Englewood, Fl. 34224  
801-390-8260

### Warranty Registration Card

(Return Within 30 Days of Purchase)

Owners Name: \_\_\_\_\_  
 Street Address: \_\_\_\_\_  
 City: \_\_\_\_\_ State/Prov: \_\_\_\_\_ Zip/Postal: \_\_\_\_\_  
 Phone: \_\_\_\_\_  
 Date of Purchase: \_\_\_\_\_ Supplier: \_\_\_\_\_  
 Model # \_\_\_\_\_  
 Serial Number \_\_\_\_\_